

BALL VALVE

CLASS 10K/20K STAINLESS STEEL BALL VALVE

Blowout-proof stem, Reinforced PTFE anti-leakage device, Flanged ends.

STAINL

Working Pressure

Water \ oil \ gas at normal atmospheric temperature(10K)
 10.0kgf/cm² 0.98MPa
 Steam \ oil \ gas at 150°C or under(10K)
 7.0kgf/cm² 0.69Mpa
 Water \ oil \ gas at normal atmospheric temperature(20K)
 20.0kgf/cm² 1.96MPa
 Steam \ oil \ gas at 150°C or under(20K)
 7.0kgf/cm² 0.69Mpa

Test Pressure

Shell	21.1kgf/cm ²	2.07MPa(10K)
	30.0kgf/cm ²	2.94MPa(20K)
Seat	15.4kgf/cm ²	1.51MPa(10K)
	22.0kgf/cm ²	2.15MPa(20K)
	6.0kgf/cm ² (Air)	0.59MPa

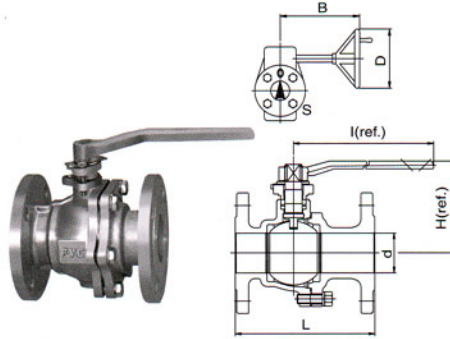


Fig.S01-2FA

NO.	PART NAME	MATERIAL
1	Body	SCS13 (8"below for precision investment casting,10K only)
2	End cap	SCS13
3	Ball	SUS304
4	Stem	SUS304
5	Seat	PTFE
6	Gland	SCS13
7	Gasket	PTFE
8	Handle	FC200
9	Bolt	SUS304

SIZE	d(10K)	L(10K)	H(10K)	I(10K)	B	D
1/2"	13	108	64	120		
3/4"	20	117	75	120		
1"	25	127	92	160		
1-1/4"	32	140	113	160		
1-1/2"	40	165	127	190		
2"	50	178	140	230		
2-1/2"	64	190	152	230		
3"	78	203	170	400		
4"	99	229	184	400		
5"	125	300	200	445		
6"	149	340	245	595		
8"	198	457	276		325	600
10"	250	533	325		325	600
12"	305	610	456		325	600

10

CLASS 150 BRONZE BALL VALVE

Full port, Blowout-proof stem, Reinforced PTFE Anti-leakage device, Threaded ends.

FVC

Working Pressure

Water \ oil \ gas at normal atmospheric temperature
 600psi
 Steam \ oil \ gas at 150°C or under
 100psi

Test Pressure

Shell	900 psi (Hydrostatic)
Seat	80 psi (Air)

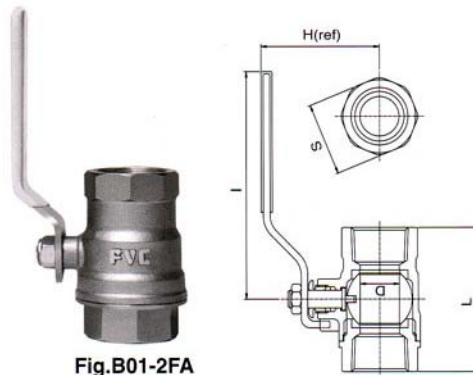


Fig.B01-2FA

NO.	PART NAME	MATERIAL
1	Body	Bronze
2	End cap	Bronze
3	Stem	Brass
4	Ball	Brass or Bronze
5	Seat	PTFE
6	Thrust washer	PTFE
7	Gland packing	PTFE
8	Gland	Brass
9	Handle	Stainless steel
10	Nut	Stainless steel

SIZE	D	L	H	I	S
1/2"	12.7	58	46	83	25.6
3/4"	19	65.5	58	103	32.6
1"	25	82	62	103	38.6
1-1/4"	31	90	72	158	47
1-1/2"	38	96.5	77	158	55
2"	50	115.5	85	158	68

BRONZE